

SAM-2 Supervised Antenna Module

Description

The SAM-2 Supervised Antenna Module is an intelligent addressable device that connects to a life-safety antenna on the Distributed Antenna System (DAS) and is supervised by a BDA Buddy BBAS-1 Antenna Supervision Module. The BBAS-1 provides an addressable loop that is electrically combined with the radio frequency signals delivered to each antenna in a building's Distributed Antenna System. Up to 125 SAM-2 devices can be monitored by a single BBAS-1. The BBAS-1 communication signal passes through all coaxial wiring and signal splitting equipment and thus also monitors all passive equipment for integrity. The BBAS-1 monitors the integrity of the entire antenna network, from the BBAS-1 option card to each SAM-2 device, which is physically coupled to the antenna.

Features

Antenna supervision status, along with description and location information, is reported to the BBCPU-1 and displayed on the BDA Buddy system's BBGUI-1 Graphic User Interface(s). This alerts emergency responders of areas in the building that could be lacking appropriate coverage, possible inhibiting radio communication capabilities. It also helps technicians quickly identify and resolve individual antenna wiring issues.

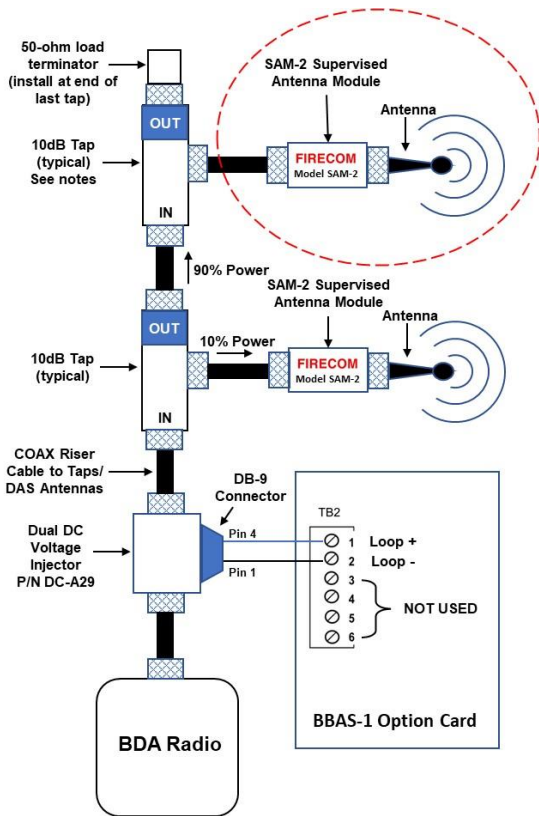
The SAM-2 module:

- ◆ Adds supervision functions to standard antennas to turn it into a supervised life-safety antenna
- ◆ Facilitates the integrity-monitoring of all coaxial infrastructure and passive devices
- ◆ Addressable by the BDA Buddy system through a utility in the BBGUI-1 Graphic User interface
- ◆ Convenient polling-status LED



Mounting and Installation

Permanently affix the SAM-2 to its antenna. Ensure that the antenna loop connections of the BBAS-1 are wired to a Firecom 77459 RF DC Block/Injector, which must be wired in series with the in-building DAS coaxial wiring. Use signal splitting and tapping devices that have been approved by Firecom to ensure proper signal passage.



Electrical Specifications

Operating Voltage:	24V Nominal
Operating Current:	1mA Average
Frequency Range:	100 MHz – 1000 MHz
VSWR:	0.8dB Max
Attenuation:	50 Ohms
Impedence:	N Female
Connector RF:	N Male
Connector Antenna:	0 °C to 49 °C
Operating Temperature:	0% to 93% @
Operating Relative Humidity:	32 °C
Range:	
Dimensions:	1.25L x 1.25W x
Weight:	3.56H”
	0.35 lb

Ordering Information

Model No.	Part No.	Description
SAM-2	78776	Supervised Antenna Module

The signaling between the BBAS-1 and the supervised life-safety antennas must pass properly through the passive coaxial radio distribution wiring and splitting devices. A fault in any of the intermediary devices or pathways results in one or more antenna communication troubles to be detected.

Approvals and Listings



(File no. pending)

See Installation Guide P/N 79790 for wiring and setup details.

It is our intention to keep product information up-to-date and accurate. We cannot cover all specific applications or anticipate all requirements. All specifications are subject to change without notice. For more information, contact FIRECOM, INC.



P/N 80054
Rev 20211021