

Bravelink™ BBR8C-1 Relay Option Card

Description

The Bravelink™ BBR8C-1 Relay Option Card is a component of the Bravelink™ Bidirectional Amplifier (BDA) Monitoring system. It provides up to eight form-C relay outputs that can be used to send life-safety radio status to a central station- connected fire alarm system.

Features

The Bravelink™ BBR8C-1 summarizes the statuses from multiple radios and life-safety antennas and sends those status changes via eight (8) preconfigured outputs.

When the Bravelink™ system is monitoring more than one BDA radio, all radio status items are combined by category, so that only one relay per condition needs to be wired to the fire alarm panel. Status of individual conditions of all BDA radios and antennas is displayed on the Bravelink™ BBGUI-1 Graphic User Interface(s).

Note: These relays need to be wired to the fire alarm panel and programmed for the trouble and supervisory response types applicable to these inputs. Ground fault detection for these circuits is the responsibility of the fire alarm panel.

The Bravelink™ BBR8C option card provides:

- ◆ 8 Form-C dry relay outputs
- ◆ Diagnostic LEDs to indicate the state (activated/deactivated) of each relay
- ◆ Contact rating: 0.5A@30VDC, 0.25A@125V
- ◆ Convenient DIN-Rail Mounting

Note: One (1) Bravelink™ BBR8C-1 option card is required/supported on the Bravelink™ system.



Mounting and Installation

The Bravelink™ BBR8C-1 clips onto a standard DIN mounting rail along with the CPU and other Bravelink option cards, installed within a NEMA-4/UL50E enclosure.

The Bravelink™ BBR8C-1 connects to the Bravelink™ BBCPU-1 and other option cards using short CAT-6 cables with RJ-45 connectors on each end (included). All connections are supervised for integrity.

The relays are pre-configured to activate on the following BDA status changes:

- ◆ System O.K. (sent upon restoration of a trouble or supervisory condition)
- ◆ Bidirectional amplifier (BDA) Fail
- ◆ Donor Antenna Disconnect
- ◆ Donor Antenna Signal Reception Supervision
- ◆ BDA AC Fail
- ◆ BDA Low Battery Capacity
- ◆ BDA Battery Charger Fail
- ◆ Distributed Antenna Trouble

The BDA radio(s) being installed may or may not send all of these status conditions.

Electrical Specifications

Operating Voltage:	24V
Operating Current:	80mA
Relay Contact Rating (Resistive)	0.5A@24VDC
Battery Alarm Current	80mA plus 10mA per activated relay
Operating Temperature:	0°C to 49°C
Operating Relative Humidity Range:	0% to 93% @ 32°C

Ordering Information

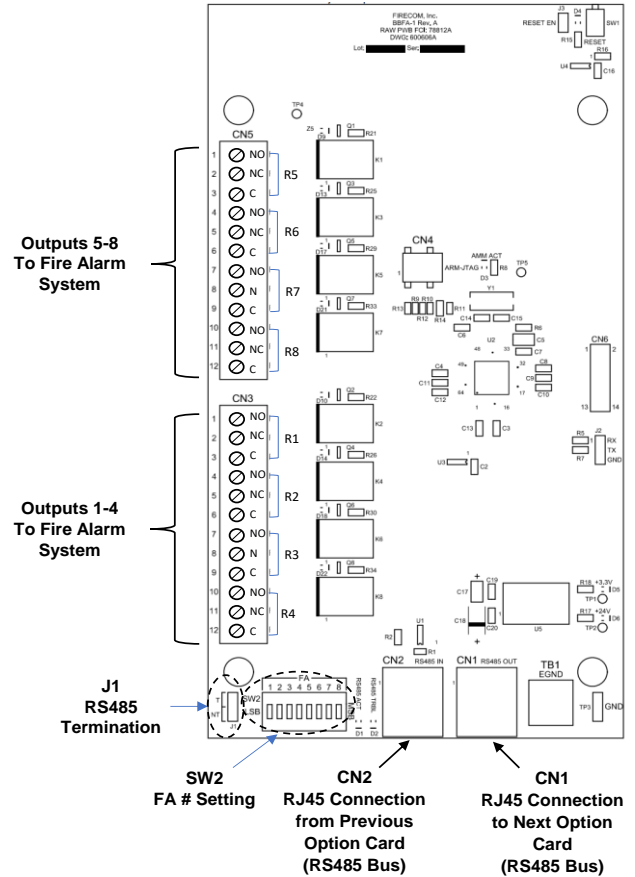
Model No.	Part No.	Description
BBR8C-1	79185	Relay Option Card

Approvals and Listings



(File no. pending)

See Installation Guide P/N 79790 for wiring and setup details.



It is our intention to keep product information up-to-date and accurate. We cannot cover all specific applications or anticipate all requirements. All specifications are subject to change without notice. For more information, contact FIRECOM, INC.

